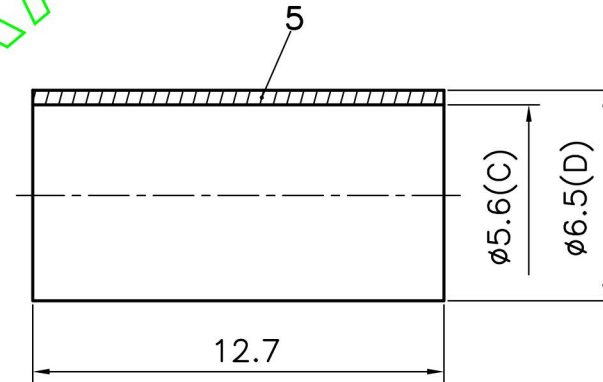
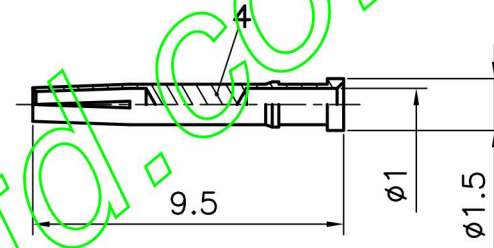
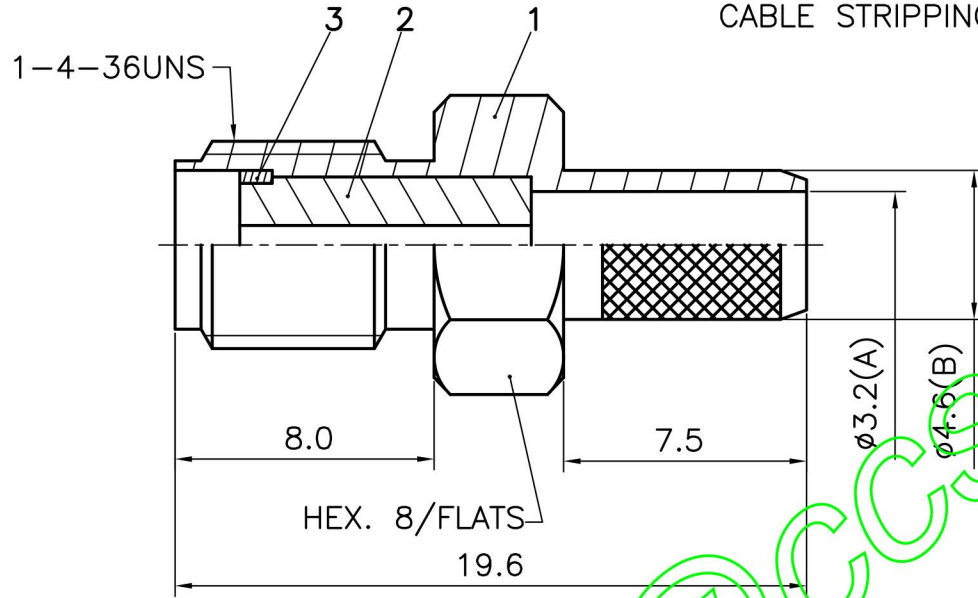


RECOMMENDED
CABLE STRIPPING DIM'S



- 1. CRIMPED FERRULE
HEX CRIMP SIZE .213"
- 2. CONTACT PIN
TO SOLDER

5	FERRULE	BRASS/GOLD PLATE
4	CONTACT PIN	PHOSPHOR BRONZE/GOLD PLATE
3	RING	BRASS/GOLD PLATE
2	INSULATOR	TEFLON
1	BODY	BRASS/GOLD PLATE
NO.	DESCRIPTION	MATERIAL

TITLE: SMA FEMALE CRIMP FOR RG58		
PART NO: SMAJCR58	DRAWING NO:	29
UNIT: mm	DATE: 92-03-10	SHEET: 1/1

APRD:	UNLESS OTHERWISE SPECIFIED TOLERANCES 0.5-5 = ±0.2 5-30 = ±0.4 30-120 = ±0.6 120-315 = ±1
CHKD:	
DR:	

